

## DSP211

### 50W 8" Commercial In-Ceiling Subwoofer



#### Description

We believe that audio quality in any venue should never be compromised — including in secondary areas that are often overlooked. That's why we're proud to introduce our subwoofer ceiling speaker. It features a 3-position switch, allowing you to select between 100V, off, or 8  $\Omega$  operation. This subwoofer delivers deep yet clean bass, serving as a low-frequency supplement that pairs seamlessly with any ceiling speaker, filling the entire sound field with rich low-end energy. With its 8-inch driver, this ceiling-mounted subwoofer is an ideal solution for any space that demands additional low-frequency response.

#### Features

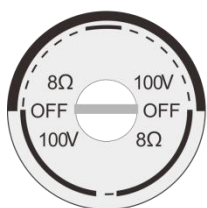
- Stylish appearance.
- Simple to install and service.
- Constructed from long-lasting materials.
- Features an ABS housing.

#### Specifications

Model	DSP211
Design	Subwoofer
Woofer	8 inch
Input Impedance	8 $\Omega$
Power Handling RMS	50W
Programme Watts	100W
SPL. 1W/WM (dB)	88dB
MAX. SPL. @1M	105dB
Frequency Response (-3dB)	90Hz-200Hz
Dispersion	Omni
Crossover Frequency	200Hz

Connector	Spring loaded terminal
Tapping	100V/OFF/8Ω
Input Voltage	8Ω/100V 200Ω 50W
Speaker Cables	Minimum Diameter 2.5mm <sup>2</sup>
Ceiling Thickness	Ø 10-35mm
Hole Cutout Ø	Ø 245mm
Dimensions	285×195mm
Net Weight	3.4kg

## Power Tap

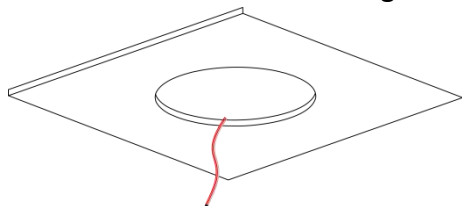


Note: please select 100V, OFF or 8Ω tap before connecting the speaker wire.

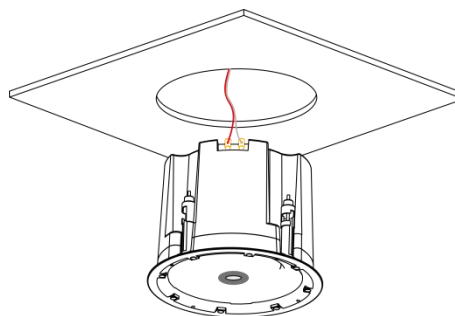


## Installation Methods

1. Cut out a hole in the ceiling.



2. Connect cable to terminal blocks.



3. Put the speaker inside the hole. Screw the speaker and install the protection net.

